

## ▶ EI350

### 1/3" 560 TVL Pure Vision Lens Integrated Color Camera



#### Features

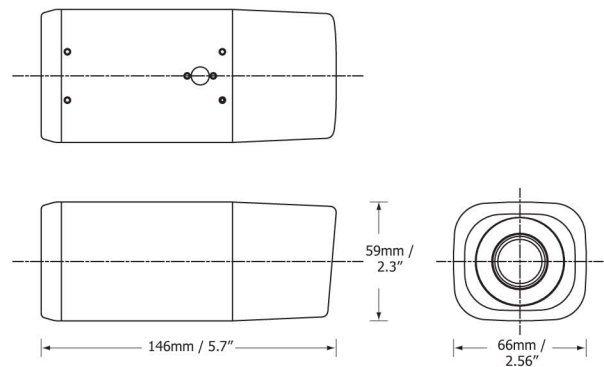
- 1/3" Sony Super HAD CCD with low light sensitivity of 0.5 lux/F=1.2
- Industry leading super high-res. with 560 TVL
- Revolutionary integrated 10-bit Digital Signal Processor (DSP) delivers excellent picture quality and sharp color images
- Intelligent backlight compensation
- Utilizes Pure Vision Technology



#### Specifications

Pickup Device	Sony 1/3" Interline Transfer Super HAD CCD
Video Format	NTSC or PAL
Picture Format	768 x 494 NTSC / 752 x 582 PAL
Horizontal Resolution	560 TVL
Video Output	BNC 1.0 Vp-p, 75 ohm
Sensitivity	0.5 lux/F=1.2
S/N Ratio	Over 48dB (AGC Off)
Electronic Shutter	1/50 (1/60) ~ 1/100,000
Flickerless	On/Off switch
Backlight Comp.	On/Off switch
Auto Gain Control	On/Off switch
Auto White Balance	Yes
Gamma Correction	0.45
Lens	Built-in Vari-focal f=3.8~9.5mm/F=1.2
Power Source	12VDC / 24VAC
Power Consumption	24VAC, 7.5W max. / 12VDC, 4.5W max.
Dimension	Approx. 146 (L) x 66 (W) x 59 (H) x mm / 5.7" (L) x 2.56" (W) x 2.3" (H)
Operating Temperature	0°C~40°C / 32°F~104°F (20~80% humidity)
Power Consumption	4W max.
Weight	Approx. 0.4 kg / 0.9 lbs

#### Dimensions



(Unit: mm/inch)

#### Package Contents

- Camera Unit x 1
- Manual x 1

#### Ordering Information

- **EI350:** 1/3" Pure Vision 560 TVL, Lens Integrated, Dual Voltage, 3.8~9.5mm lens