

CAMERA

Color Cameras

380 TVL Cameras

EM200

1/3" 380 TVL Sony Metal Case Color Camera



Features

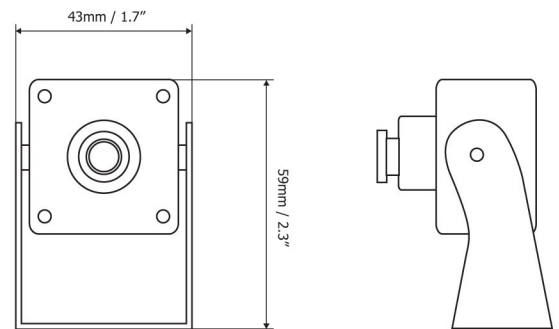
- Standard resolution of 380TVL
- Designed for discreet surveillance
- Light sensitivity of 0.3 lux/F=1.2
- Electronic shutter and AGC allows the camera to be used in environments with various light levels
- Standard lens 3.6mm
(Also available in 2.5mm, 4.3mm, 6mm, 8mm, 12mm, 16mm)



Specifications

Pickup Device	Sony 1/3" Interline Transfer Super HAD CCD
Video Format	NTSC or PAL
Picture Format	510 x 492 NTSC / 500 x 582 PAL
Horizontal Resolution	380 TVL
Video Output	BNC 1.0 Vp-p, 75 ohm
Sensitivity	0.3 lux/F=1.2
S/N Ratio	Over 48dB
Electronic Shutter	1/60 (1/50) ~ 1/100,000 sec.
Backlight Comp.	Yes
Auto Gain Control	Yes
Auto White Balance	Yes
Gamma Correction	0.45
Lens	Standard board lens f=3.6mm, F=2.0 (Optional lens: 2.5mm, 4.3mm, 6mm, 8mm, 12mm and 16mm / Pinhole: 3.7mm, 5.5mm)
Power Source	12VDC +/- 10%, 200mA
Dimension	Approx. 43 (W) x 59 (H) mm / 1.7" (W) x 2.3" (H)
Operating Temperature	0°C~50°C / 32°F~122°F (20~80% humidity)
Weight	Approx. 141g / 0.3 lb

Dimensions



(Unit: mm/inch)

Package Contents

- Camera Unit x 1
- Manual x 1

Ordering Information

- **EM200/N-3:** 1/3" Metal Case Color Camera, 3.6mm lens

*Also available with 2.5mm, 4.3mm, 6mm, 8mm, 12mm and 16mm lens

**To order, replace the last number with the first digit(s) of the desired lens. (e.g. 2.5mm = EM200/N-2, 6mm = EM200/N-6)